

Thermonet underfloor heating standard thermostat kit

1.0 KIT CONTENTS

Parts included:

- 1 x Thermostat
- 1 x Wall plate
- 2 x Mounting box screws
- 1 x Floor temperature sensor with 3m flex
- 1 x Floor temperature sensor conduit kit

Parts you will need:

- 1 x Single gang flush mounting box
- For solid walls use - Thermonet stock no. 5275
- For drylined walls use - Thermonet stock no. 5276

2.0 INSTALLATION

READ THIS DOCUMENT IN CONJUNCTION WITH THE THERMONET INSTALLATION GUIDE.

This thermostat is designed to control Thermonet electrical floor heating. The resistive load must not exceed 3680 Watts (NI) @ 230 VAC (16 AMPS).

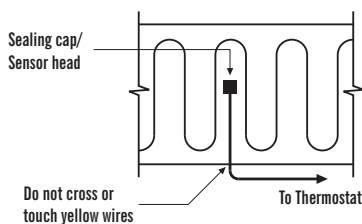
For areas exceeding 16 AMPS (Approximately 24m² Thermonet or 19m² Thermonet Extra) that require control by a single thermostat, a snubber/contactor must be used. Snubbers/contactors are available from your Thermonet distributor.

2.1 THERMOSTAT LOCATION

The thermostat should be located within the room to be heated, subject to current electrical regulations relating to bathrooms and wet areas. As the thermostat is floor sensing it can be installed outside the room or in a cupboard if necessary. For easy operation, choose a location about 1.3m above the floor. Should a remote location for the thermostat be necessary the system wiring can be extended up to 50m from the installation. Suitable extension wire is available from your Thermonet distributor.

2.2 FLOOR TEMPERATURE SENSOR LOCATION/INSTALLATION

Always install the floor temperature sensor in conduit. After laying out the heatmat(s), select a suitable position for the floor sensor.



Example of floor sensor location

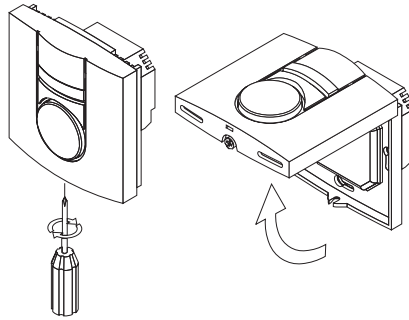
Mark the position of the floor sensor on the floor. Remove the surrounding heatmat(s) and cut a channel in the floor to accommodate the conduit. This will maintain the overall finished floor level. Ensure that the floor is clean before installation of heatmat(s).

Using a multimeter, measure the resistance between the two connection wires in the floor temperature sensor flex. For temperatures between 20°C and 30°C the resistance should measure between 8K Ohm and 12K Ohm. Check the resistance before and after installation.

2.3 THERMOSTAT MOUNTING/WIRING

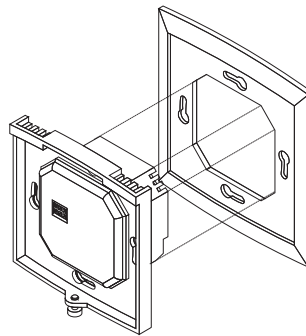
Step 1 Unscrew and remove the thermostat front panel.

Note: The screw is captive and cannot be removed completely.



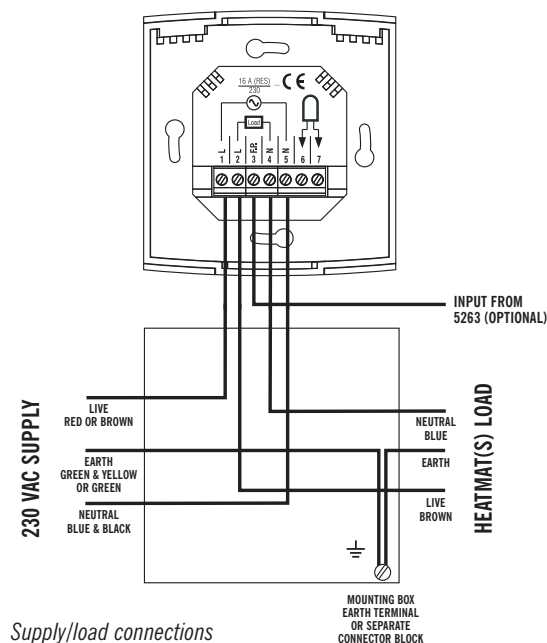
Step 2 Check to make sure the base of the thermostat

covers the single gang wall mounting box entirely. If not, clip the wall plate onto the back of the thermostat body.



Step 3 Connect the 230 VAC supply wires to the thermostat.

230 VAC	WIRE COLOUR	CONNECT TO
LIVE	RED OR BROWN	TERMINAL L1
NEUTRAL	BLUE OR BLACK	TERMINAL N5
EARTH	GREEN & YELLOW OR GREEN	MOUNTING BOX EARTH TERMINAL OR SEPARATE CONNECTOR BLOCK



Supply/load connections

Floor temperature sensor not shown connected.

ALL ELECTRICAL WORK MUST CONFORM TO CURRENT IEE WIRING REGULATIONS AND BE CHECKED OR CARRIED OUT BY A QUALIFIED ELECTRICIAN. ELECTRICAL INSTALLATION WORK IN DWELLINGS IS SUBJECT TO THE BUILDING REGULATIONS PART P.

TURN OFF THE ELECTRICAL SUPPLY AT THE POWER DISTRIBUTION UNIT TO AVOID RISK OF ELECTRICAL SHOCK.

THE FLOOR TEMPERATURE SENSOR MUST BE PLACED IN CONDUIT TO FACILITATE REMOVAL, IF NECESSARY.

THE FLOOR TEMPERATURE SENSOR WIRE MUST NOT CROSS OR TOUCH ANY YELLOW HEATMAT WIRES.

Step 4 Connect each of the heatmat(s) load wires to the thermostat.

THERMONET WIRE REFERENCE	CONNECT TO
BROWN	TERMINAL L2
BLUE	TERMINAL N4
EARTH BRAID	TWIST EARTH BRAIDS TOGETHER, SLEEVE AND CONNECT TO MOUNTING BOX EARTH TERMINAL OR SEPARATE CONNECTOR BLOCK

For installations of three or more heatmats, connect the connection wires to a junction box and take single feeds to terminals L2 and N4.

Step 5 Connect the floor sensor wires to terminal 6 and terminal 7 (the floor sensor wires are not polarity sensitive).

Step 6 The thermostat has been pre-set with a minimum and maximum temperature set point.

SET POINT	PRE-SET TEMPERATURE
MINIMUM	5°C
MAXIMUM	28°C

The dial set point on the front of the thermostat will not override the pre-set temperature values.

Step 7 Push excess wire back into the wall mounting box and secure the thermostat body to the mounting box using the two screws provided.

Step 8 Clip the top of the thermostat front panel to the thermostat body and secure with the captive screw.

3.0 OPERATION

Use the temperature set point dial on the front of the thermostat to select the desired floor set point temperature.

Use the ON/OFF slide button on the front of the thermostat to switch the system ON or OFF.

When the floor temperature is less than the dial set point temperature and the slide button is in the ON position, the red heating indicator will be displayed until the floor reaches the set point temperature.

In normal use the thermostat is left ON and will automatically maintain the selected floor set point temperature.

For holidays or night time economy, use the temperature set point dial to select a lower temperature.

Important: When the thermostat is switched OFF, frost protection (indicated by d symbol on temperature set point dial) will not be in operation.

4.0 USE WITH 5263

For use with Thermonet Multizone Programmer (5263). The pilot wire from the 5263 is daisy chained into terminal 3 (FP). In normal standalone operation this terminal is not used.

5.0 TECHNICAL ADVICE

If you have any questions regarding installation of your thermostat, please contact your distributor or call the **Thermonet Advice Line 091 1163 2003**

6.0 SPECIFICATION

Model:	5260
Supply:	230 VAC 50/60Hz
Load:	16A maximum (resistive only)
Power:	3680W (NI) @ 230 VAC
Approval:	CE
Setting range:	5-28°C
Maximum default setting:	28°C
Minimum default setting:	5°C
Storage:	-20°C to 50°C
Enclosure class:	IP21

7.0 WARRANTY

This product is warranted against material defects and workmanship in normal use for a period of two years from the date of the original purchase from an authorised distributor. During this period, Thermonet will repair or replace with a new or equivalent quality model at Thermonet's discretion, any product proven defective in normal use.

This warranty excludes any cost of removal, installation, accidental damage and transportation. In no event shall Thermonet be liable for consequential or incidental damages resulting from the installation of this product.

The defective product and original sales receipt must be returned to the selling distributor or shipped prepaid and insured to: Thermogroupuk, Advance House, Liphook Way, 20/20 Business Park, Maidstone ME16 0LQ.

For further information contact our customer support team on 08700 41 21 41.

ALWAYS CONNECT MULTIPLE HEATMATS IN PARALLEL. ALL CONNECTION WIRES MUST RETURN TO THE THERMOSTAT OR A COMMON TERMINATION POINT.

NEVER CUT THE YELLOW HEATING WIRE. HEATING WIRE MUST NEVER BE SHORTENED OR LENGTHENED.

ALWAYS FOLLOW THE FLOOR FINISH MANUFACTURER'S GUIDELINES FOR ELECTRICAL UNDERFLOOR HEATING.

Thermonet Systems (UK)
T/A Thermogroupuk
Liphook Way
20/20 Business Park
Maidstone ME16 0LQ

Telephone 08700 41 21 41
Fax 08700 41 21 40
www.thermogroupuk.com
sales@thermogroupuk.com

thermonet
UNDERFLOOR HEATING